



Stainless Solid

Key Features

- Makes crescent shaped cubes approx. 1/2" W x 3/4" H x 2 1/4" L
- Produces up to 25 lb of ice per day
- Stores up to to 25 lb of ice
- On/Off switch is located on lower face of unit
- Stainless steel cabinet, toe-kick, and full-wrap door
- Stainless steel handle (7/8" diameter)
- Field reversible door is shipped right-hand hinged
- Built-in or freestanding
- Four adjustable leveling legs
- No drain required

Model Details

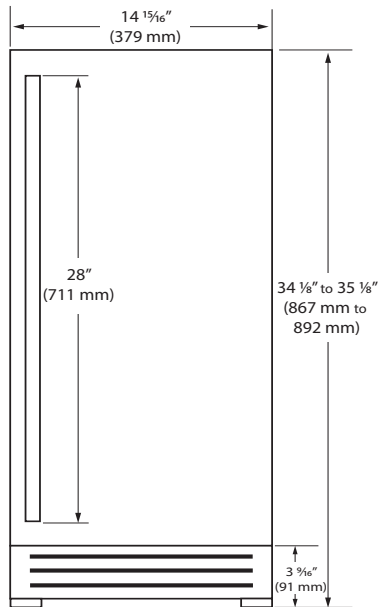
Model	Voltage/Hz	Door Swing	Finish	Shipping Weight
UOCR115-SS01A	115 / 60	Field Reversible	Stainless Solid	89 lb

Accessories

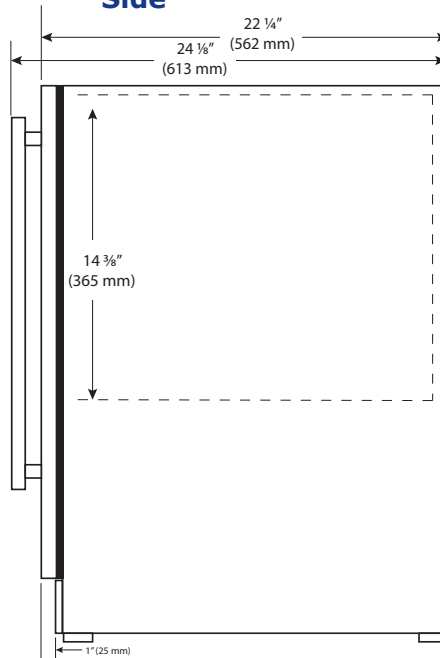
Model	Description	Finish	Shipping Weight
80-54674-00	Braided water supply line kit	N/A	2 lb

Dimensions

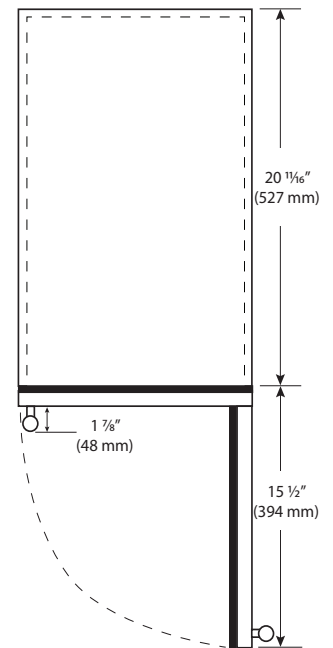
Front



Side



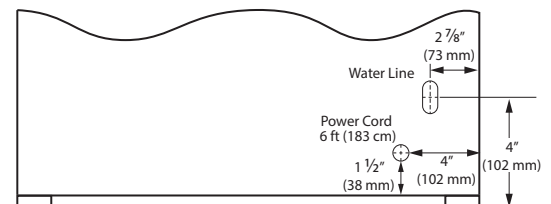
Top



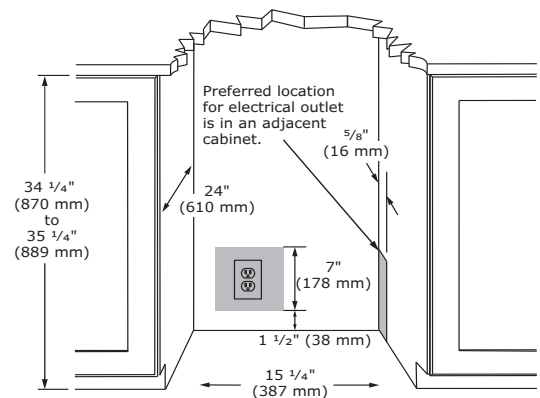
Specifications

Model	OCR115
Amps: Running	2.5
Dimensions: Product Depth	22 1/4" / 562 mm
Dimensions: Product Height	34 1/8" / 867 mm
Dimensions: Product Width	14 15/16" / 379 mm
Energy Consumption: Avg. Per Year	N/A
ENERGY STAR	N/A
Ice Production Per Day	25 lb
Ice Storage	25 lb
Product Weight: Max	89 lb
Refrigerant Type:	R134a
Sabbath (Star K Certified)	No

Back



Cabinet Cut-Out



Warranty

- 1 Year (parts & labor) / 5 year sealed system (parts)
- **2 Year (parts & labor) / 5 year sealed system (parts) upgrade at no cost with product registration**



See complete warranty for details

Installation Notes

- 15" cutout width sufficient if door protrudes beyond adjacent cabinetry
- No additional clearance is needed for ventilation
- Do not obstruct front grille air flow



Please visit u-line.com to view this model's User Guide & Service Manual. All Specifications are subject to change without notice.